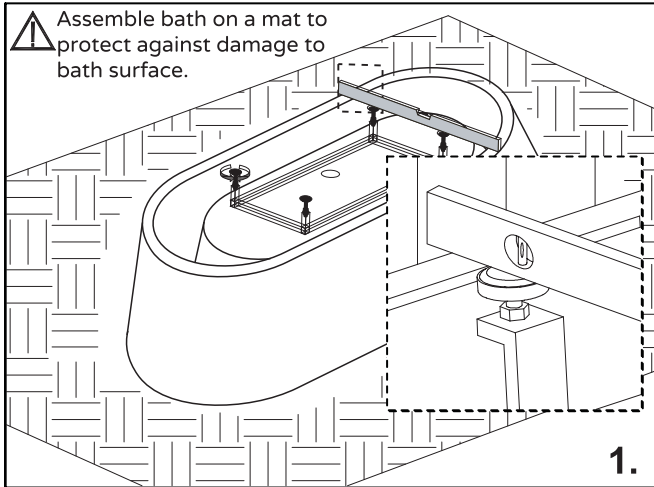
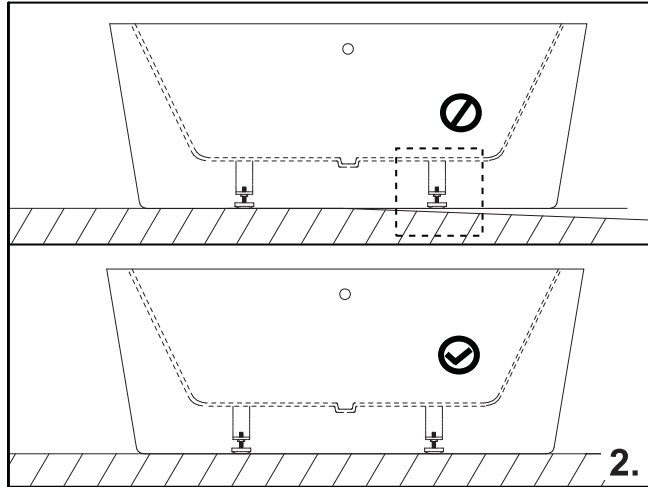


FREESTANDING TUB INSTALLATION

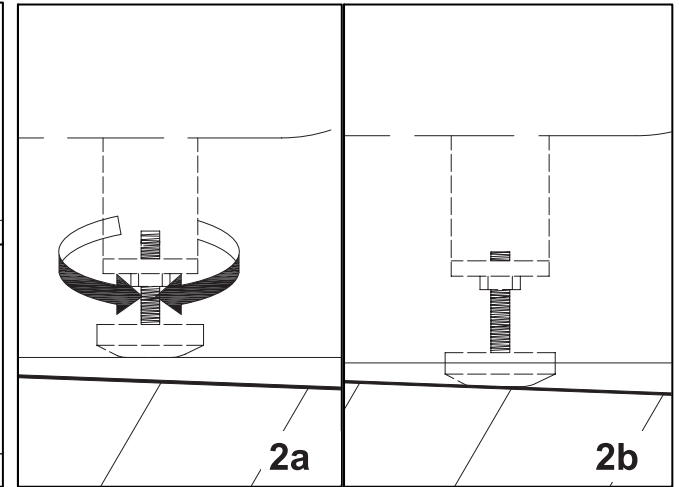
Model # PT-1003, PT-1006, PT-1043, & PT-1051



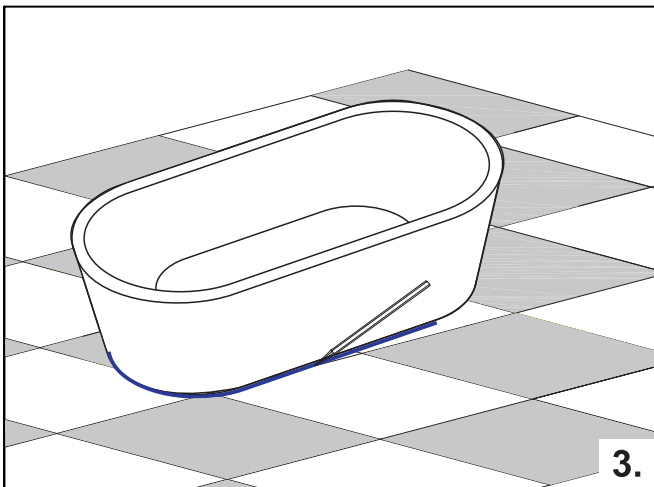
- Ensure legs are adjusted in line with the base of bath.



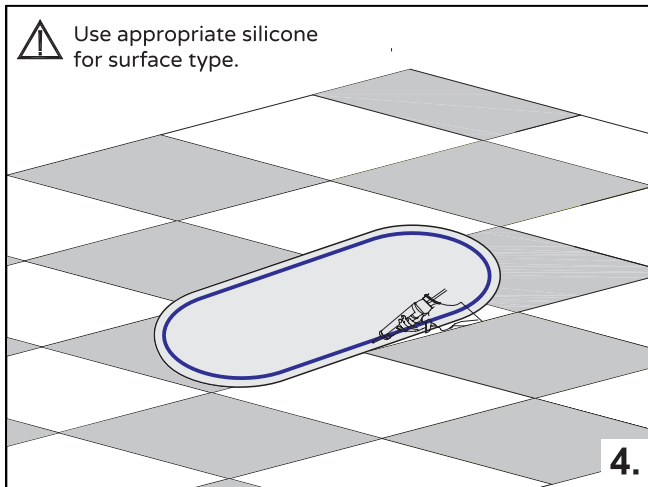
- Check that bath sits flat; if required, adjust legs to compensate for floor level.



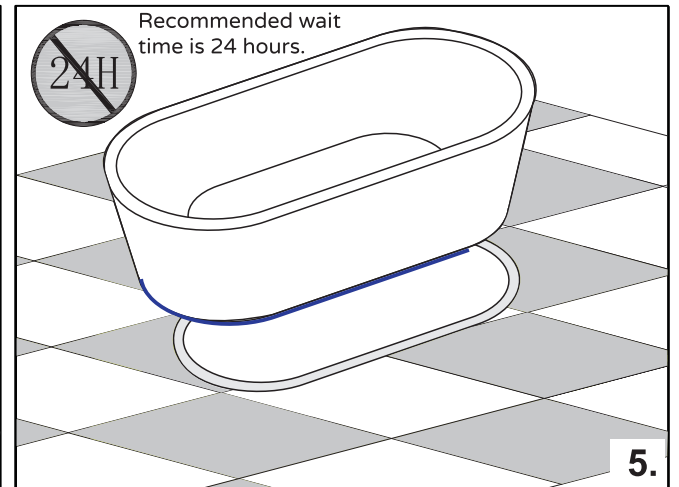
- ▲ Before step 3, set waste connection position.



- With pencil, trace outline of bath.



- Apply a thick bead of silicone within bath outline.



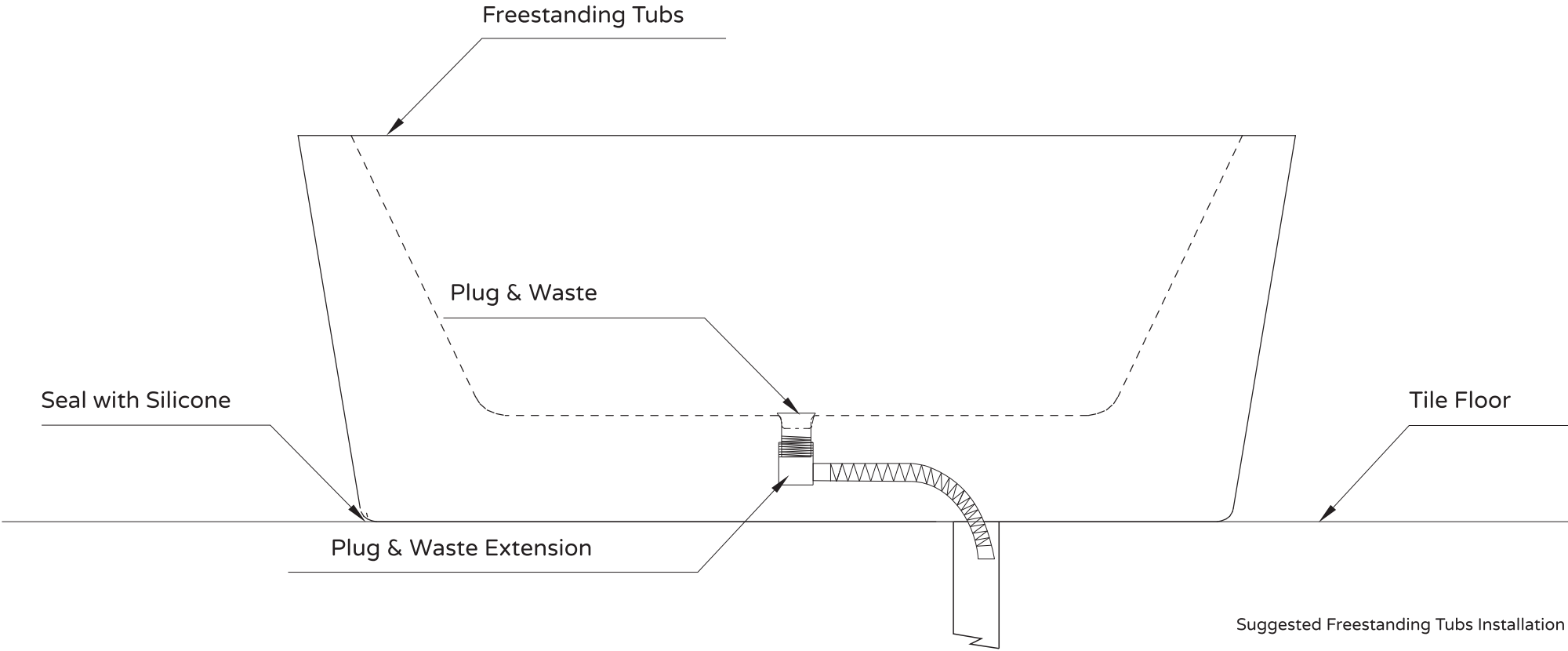
- Set bath in final position.

▲ This installation guide does not include details of waste connection. Final decision about installation of waste connection should be taken by a contractor.



FREESTANDING TUB INSTALLATION

Model # PT-1003, PT-1006, PT-1043, & PT-1051



297 Anna St. | Watsonville, CA 95076
Toll Free: 888.785.7320
www.PulseShowerSpas.com/tubs

